

1525 - 1525VR - 1535 VAPOR RECOVERY ADAPTOR CAM-LOCK MALE



Vapor recovery adaptor are device in according with Directive 2014/34/EU and harmonized standard. They are designed to minimize pressure drop and maximize the efficiency of the recovery of vapors during tanker loading and unloading.

It can be ordered in different sizes to meet any requirement.



1525



1525VR



1535

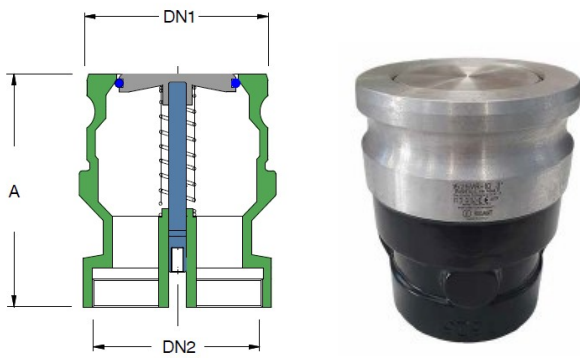
Specification

PART	1525	1525 VR	1535
BODY	ALUMINIUM	ALUMINIUM	ALUMINIUM
SCREWS, SPRING & BOLTS	STAINLESS STEEL	STAINLESS STEEL	STAINLESS STEEL
POPPET	STAINLESS STEEL	STAINLESS STEEL	STAINLESS STEEL
GASKET/O-RING	-	VITON®	VITON®
CODE	1525-00	1525VR-10	1535-00
DN1	4" CAMLOCK M	4" CAMLOCK M	3" CAMLOCK M
DN2	2" M BSPP	3" F BSPP	3" F BSPP
A (mm)	77	148	203

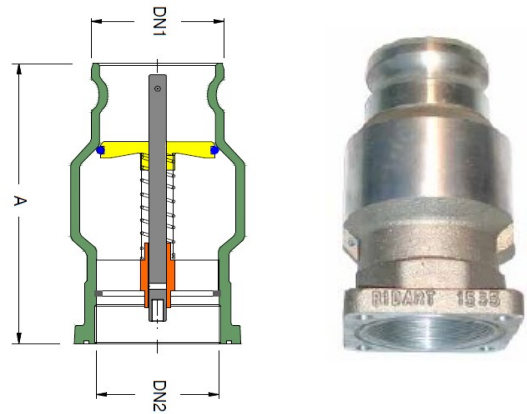
Chemical Suitability

- Standard Model is for traditional fuel without additives or compatible chemical products

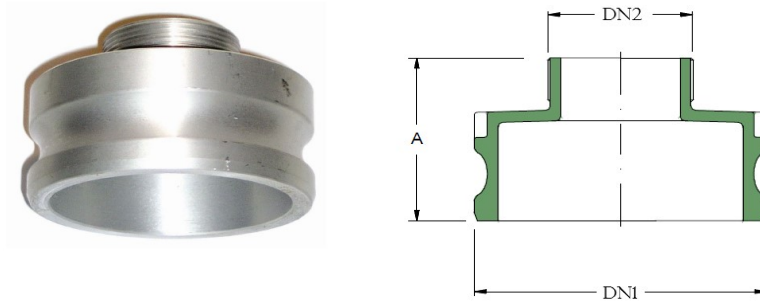
1525VR



1535



1525



Installation

- For correct installation follow the Directives and product User Manual.
- For custom application or maintenance write to: quality@ridart.it
- Declaration of Conformity and User Manual are available on: www.ridart.it/support

Maintenance

- Periodically check the device is necessary to remove possible dirty.
- Always replace the product after fire or deflagration.
- In case of tampering warranty expires and safety protection is not guaranteed.